

## Axis<sup>AX</sup>

### Intelligent Single Loop Fire Alarm Control Panel

Available in two (2) configurations, AX-CTL-1 (small/compact enclosure) or AX-CTL-1L (standard Axis<sup>AX</sup> Series sized enclosure), the AX-CTL-1 (1L) Intelligent Single Loop Fire Alarm Control Panel is a member of the industry leading Axis<sup>AX</sup> Series Intelligent Fire Alarm Control Panels by Advanced. The AX-CTL-1 (1L) contains the identical features as the Advanced AX-CTL-2 (2 loop) and AX-CTL-4 (4 loop) Intelligent Fire Alarm Control Panels, and is ideally suited to smaller applications. However, as a member of the Axis<sup>AX</sup> Series product line the AX-CTL-1 (1L) can easily be utilized in larger applications due to its integral peer-to-peer networking capabilities.

Designed with installation and service engineers in mind, the AX-CTL-1 (1L) intelligent panel is modularly packaged, using surface mount and dual flash microprocessor technology, with onboard real time clocks for ease of installation, troubleshooting, programming and maintenance.

The AX-CTL-1 (1L) Intelligent Single Loop Fire Alarm Control Panel provides a single Style 4 or Style 6/7 Signaling Line Circuit (SLC). Communications to the field devices attached to the SLC is via an advanced, 100% digital protocol with advantages of being highly immune to noisy environments. The SLC supports up to 126 analog addressable devices (any combination of intelligent detectors, input and/or output devices, including loop powered technology devices). In addition, unique sub-addressing of various input and/or output devices is permitted, expanding on overall AX-CTL-1 (1L) system capacity.

The AX-CTL-1 (1L) comes with two filtered, voltage regulated Notification Appliance Circuits (NACs), Class A or B, each rated 2 Amp @ 24 VDC. Due to exceptional regulation and high rating, the onboard NAC outputs provide compatibility with most Listed notification appliance devices.

The AX-CTL-1 (1L) intelligent panel has resettable and non-resettable power outputs; each rated .5 Amp @ 24 VDC, for connection to four-wire conventional smoke



AX-CTL-1

AX-CTL-1L

#### Unique Features:

- 126 Analog Addressable Points
- Advanced User Interface w/Graphical LCD
- “Dynamix” I/O Relationship Programming
- Multi-Pattern & Two-Stage NAC Control
- Remote Diagnostic Virtual Panel Simulator
- AD-Net-Plus Peer-to-Peer Networking

#### Features

- Automatic Drift Compensation per Detector
- Automatic Detector Testing w/Maintenance Alert
- Alarm Verification and PAS
- Style 4, 6 & 7 SLC Operation (supports loop powered technology)
- Class A or B NAC Circuits
- Voltage Regulated NACs (compatible with most Listed NAC devices)
- Synchronization of Audibles and Visuals (Panel or Network Wide)
- “Auto-Learn/Loop Detection” Programming
- Built-in Intelligent Multi-Meter
- Optional ipGateway for text and email status notification
- Optional Integral or Portable Printer
- SLC Circuit Compatibility with Xtralis VLC-400

#### Listings and Approvals:

- ETL ANSI/UL 864 Listed: 3118002NYM-001B
- CSFM Approved: 7165-1713:0101
- NYC FD COA #6080

detectors and/or ancillary devices. Each AX-CTL-1 (1L) contains three, field programmable, Form “C” relays, each rated 1 Amp @ 30 VDC, defaulted as a fail-safe trouble relay, alarm relay, and supervisory relay.

Simplifying and reducing initial system set-up, each AX-CTL-1 (1L) Intelligent Single Loop Fire Alarm Control Panel is equipped with an installer-friendly “Auto-Learn/ Loop Detection” feature that permits the rapid recognition of all signaling line circuit devices. This rapid recognition simplifies the assignment of critical life safety functions immediately. Assignments include: intelligent detector type and operation criteria, addressable input device recognition as an alarm input and addressable output control on a general alarm basis.

Designed with built-in powerful installation and customization tools, the AX-CTL-1 (1L) Intelligent Single Loop Fire Alarm Control Panel can adapt to virtually any application requirement. With DynamiX programming, typical time consuming complexities associated with I/O relationship programming such as two-stage multi-pattern NAC control, intelligent detector drift compensation, precision response/sensitivity mode settings, flexible timing functions, and more, are sharply reduced.

The AX-CTL-1 (1L) intelligent panels are fully field programmable via the onboard graphical LCD display

and alphanumeric keypad. Front panel programming may encompass defining input to output relationships, configuring output circuit characteristics, entering zone, device, and other text descriptions, and configuring multiple user-access passwords.

To maximize the capability and flexibility of the AX-CTL-1 (1L) Intelligent Single Loop Fire Alarm Control Panel and to expand upon the customization of an installation, the Advanced Windows based PC-NeT field configuration tool is available. The PC-NeT field configuration tool is a powerful, user-friendly programming tool that allows users to perform virtually any I/O relationship with multiple criteria. Simple drop-down menus with point-and-click operation make project commissioning and troubleshooting fast and efficient.

The AX-CTL-1 (1L) intelligent panel can accommodate remote graphical LCD annunciators (with or without system control capabilities) on the Ad-NeT-PluS peer-to-peer network. Multiple annunciator locations can be created based on installation demands. These locations can have either: no system control, partial system control, or full system control. When installations exceed a single panel’s capacity, the Advanced Ad-NeT-PluS peer-to-peer network may be implemented, providing up to 200 network nodes. The Ad-NeT-PluS is completely field

**Graphical Liquid Crystal Display**

**LED Status Indicators**

**Control Buttons**

**12 Button Keypad (Numbers & Letters)**

**Advanced User Interface w/Graphical LCD:**

Designed to be user-friendly and easy to operate, the Advanced User Interface w/Graphical LCD (backlit 240 x 64) is the information and control center for the AX-CTL-1 (1L) Intelligent Single Loop Fire Alarm Control Panel.

The unit incorporates a graphical LCD display, LED status indicators, control buttons (including 3 programmable buttons), navigation buttons, and a 12 button keypad for complete system status, interrogation, and control.

Button (Keys)	
	Reset
	Ack (panel buzzer acknowledge)
	Resound (resound signals)
	Silence (silence signals)
	Fire Drill
	Function Keys (3 - programmable control buttons)
	Navigation Keys (up, down, left, right, and tick [enter])
	12 Button Keypad (numbers, letters, esc, and menu)

LED Indicators	
Alarm	Red
Pre-Alarm	Red
Disable	Yellow
Test	Yellow
P.A.S.	Yellow
Power	Green
Supervisory	Yellow
NAC Silenced	Yellow
NAC Trouble	Yellow
NAC Disabled	Yellow
System Trouble	Yellow
Programming	Yellow
Programmable LED 1	Red
Programmable LEDs 2-5	Yellow

programmable for inter-panel functionality or segregation of information and control based on installation requirements.

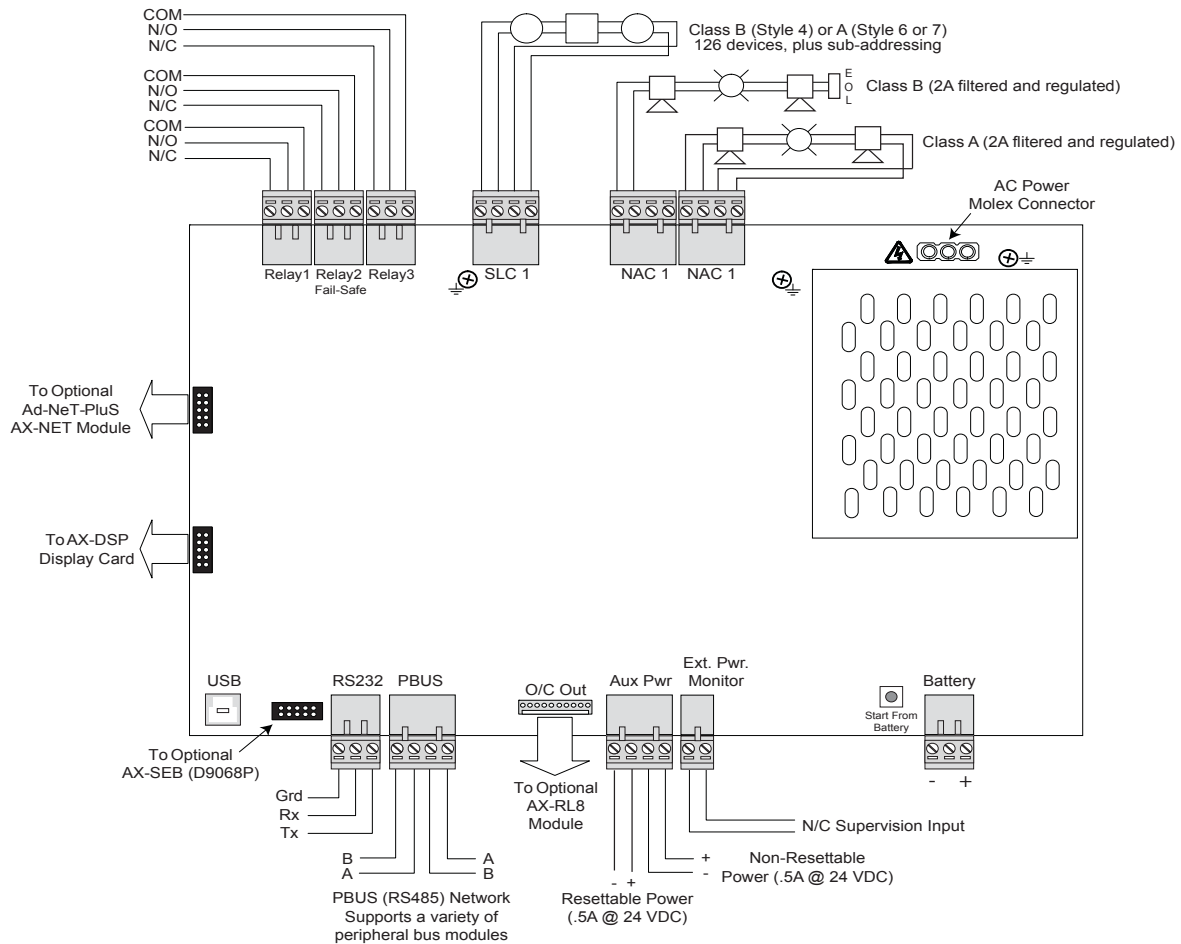
Designed with the technician in mind, each module of the AX-CTL-1 (1L) intelligent panel is easy to install and service. The integral power supply offers status LEDs, temperature compensated charging, and the ability to operate directly from the batteries when AC supply is not yet available at the installation site. A unique built-in intelligent multi-meter allows technicians to interrogate any input and/or output and diagnose potential time

consuming trouble issues with virtually no complications or aggravation. With an AX-CTL-1 (1L) intelligent panel, servicing a customer after installation can be as simple as using the Advanced Remote Diagnostic Virtual Panel Simulator and/or ipGateway (AX-LAN). The simulator can be activated from any Windows based PC and connected to the installation site via a dedicated modem. The Remote Diagnostic Virtual Panel Simulator, emulates the on-site control panel LCD and keypad in real time from an off-site location. The simulator is an incredibly powerful tool for diagnosing and troubleshooting site applications. The ipGateway (AX-LAN) provides real time text and email alerts of system status.

### Axis<sup>AX</sup> Series Intelligent Fire Alarm Control Panel Specifications

Operating Voltage	120 VAC (1.4A) - 240 VAC (0.7A), 50/60Hz	
System-Brown-Out	98 VAC nominal	
Battery Circuit		
Charging Voltage	27.4 VDC nominal	
Temp. Compensated Charging Current	2 Amp	
Battery Derating Factor	0.83A	
Battery Capacity	7 Ah (minimum), 48 Ah (maximum)	
Battery Fuse	5A @ 240 VAC, Time Delayed, Ceramic, High Breaking (In-line Wire Link)	
Fire, Supervisory, and Trouble Relays	(Power Limited - when utilizing system power)	
Type	Form "C"	
Rating	1A @ 30 VDC/VAC	
Trouble Relay	Normally Active (fail-safe operation)	
Auxiliary Power Outputs	(Power Limited)	
Resettable		
Voltage	24 VDC	
Current	.5A	
Reset Time	10 - 15 Seconds	
Non-Resettable		
Voltage	24 VDC	
Current	.5A	
Humidity	85% RH	
Temperatures		
Operating	32°F - 120°F (0°C - 49°C)	
Recommended Room	60°F - 86°F (15°C - 27°C)	
Enclosure Dimensions		
AX-CTL-1	19.1"H x 16"W x 5.3"D	
AX-CTL-1L	24.1"H x 16"W x 6.3"D	
SLC Loop	(Power Limited)	
Class (Style)	Class A or B (Style 4, 6 or 7)	
Voltage	24 VDC	
Minimum Return Voltage	17 VDC	
Current	.5A	
NAC Circuits	(Power Limited)	
Class (Style)	Class A or B	
Voltage	24 VDC (filtered and regulated)	
Minimum Return Voltage	16 VDC	
Current	2A (each)	
Maximum Voltage Drop	3 VDC	
Maximum Line Impedance	1.5Ω	
RS232	Supervised, Optically Isolated	
Baud Rate	9600	
Parity	None	
Data Bits	8	
Stop Bits	1	
Base Card Operating Current	Quiescent	Alarm
AX-CTL-1 (1L)	110 mA	195 mA

\* Refer to individual Axis<sup>AX</sup> Series module data sheets for specific specifications regarding optional modules.



## Ordering Information

AX-CTL-1*	Intelligent Single Loop Fire Alarm Control Panel with compact enclosure, power supply/charger, 1 SLC, 2 NACs, 3 auxiliary relays (enclosure supports batteries 7Ah - 18Ah)
AX-CTL-1L*	Intelligent Single Loop Fire Alarm Control Panel with standard Axis <sup>AX</sup> Series enclosure, power supply/charger, 1 SLC, 2 NACs, 3 auxiliary relays (enclosure supports batteries 7Ah - 18Ah)
AX-CTL Base Card Option Modules**:	
AX-NET4	Network Interface Card (Style 4)
AX-NET7	Network Interface Card (Style 7)
AX-RL8	8-Way Relay Output Card (Programmable)
AX-012	Thermal Strip Printer
AX-SEB/D9068P	Serial Expansion Board and Serial Digital Alarm Communicator

\* For gray enclosure, add the suffix "G" to the part number.

\*\* Refer to individual Axis<sup>AX</sup> Series module data sheets for peer to peer network and peripheral bus optional modules.



Advanced Fire Systems Inc  
100 South Street, Hopkinton, MA 01748

Tel: (508) 435-9995  
Fax: (508) 435-9990  
Email: [usa@advancedco.com](mailto:usa@advancedco.com)  
Web: [www.advancedco.com](http://www.advancedco.com)

As our policy is one of constant product improvement the right is therefore reserved to modify product specifications without prior notice.